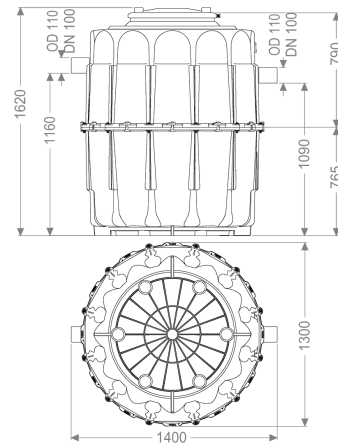


Grease separat. EasyClean Modular free, NS 4, Standard, 2-part



Article information

Item no.: 93004-R
 GTIN: 4026092071236
 Price group: 60

Advantages

- Ideal where access is tight
- can be divided into several parts for insertion, for an insertion opening of max. 66 cm
- Low-maintenance operation

Description

The separator for greasy wastewater is suitable for free-standing set-up in frost-protected rooms and comes without metallic components in the tank. Thanks to the modular design, the separator can be inserted even where access is extremely tight. The collecting tank (NS 0.5 with two tanks) made of permanently resistant polymer (PE) is equipped with an integrated sludge trap. A service access cover with odour-tight cover and quick-release closures makes easy access possible for cleaning and maintenance work. Manual disposal is carried out with the tank open. 20 year polyethylene warranty.

Variant

Chamber system:	two-piece chamber
Disposal variant:	Standard
Shredder-Mix-System:	no
Inspection window:	no
Nominal size (NS):	4
SonicControl:	no
Refill inlet in accordance with DIN 1988:	no
Type of disposal:	manual with suction hose

General characteristics

Material:	PE
Installation situation:	free-standing installation
Delivery state:	Installation-ready (connection parts must be connected on site)

Dimensions

Net weight:	94 kg
Gross weight:	105 kg
Diameter:	630 mm
Height tank bottom up to centre section:	765 mm
Height centre section to top edge of tank:	790 mm
Set-up area, height:	1620 mm
Required access area, length:	1400 mm
Required access area, width:	1300 mm
Required access area, height:	790 mm
Packaging dimension:	length
Packaging dimension:	width
Packaging dimension:	height

Tank/drain body

Distance pipe bottom outlet to tank bottom:	1090 mm
Distance pipe bottom inlet to tank bottom:	1160 mm
Outlet nominal size (OD):	110 mm
Outlet nominal size (DN):	100 mm
Inlet nominal size (OD):	110 mm
Inlet nominal size (DN):	100 mm
Connection inlet/outlet sockets:	PE-HD pipes in accordance with DIN 19537, HT pipes in accordance with DIN 19560, PP or AS

Coverage features

Type of cover:	Cover
Cover material:	Polymer
Colour of cover:	black
Locking:	Quick-release closure
Tightness:	odour-tight

Wastewater contents

Separator contents:	560 l
Total volume:	960 l
Contents of sludge trap:	400 l
Storage quantity of grease:	160 l

Control

Control unit:	no
---------------	----